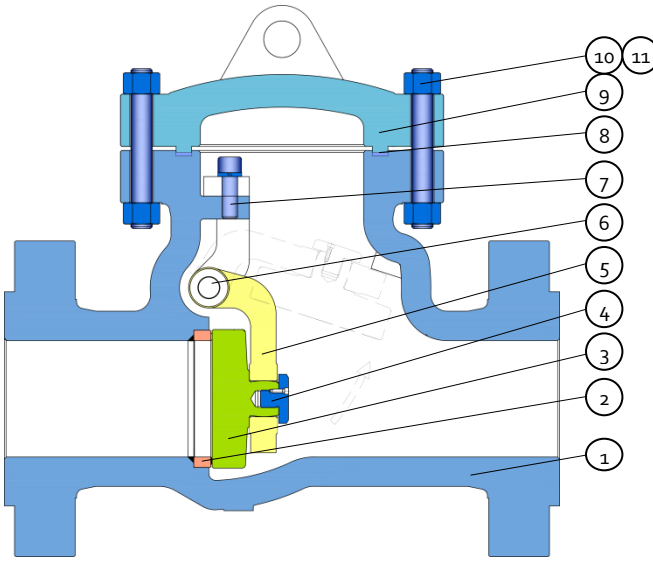


CHECK VALVE

OVERVIEW (Swing Type)



Part List

- | | |
|-------------|----------|
| ① Body | ⑦ Screw |
| ② Seat Ring | ⑧ Gasket |
| ③ Disc | ⑨ Cover |
| ④ Disc Nut | ⑩ Nut |
| ⑤ Hinge | ⑪ Stud |
| ⑥ Pin | |

STANDARDS

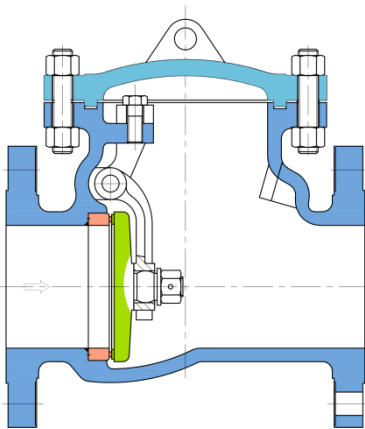
Design & Manufacture	BS 1868, ASME B16.34 API 6D
Face-to-face	ASME B16.10
End Dimension	ASME B16.5 (RF, RTJ), ASME B16.47 (RF, RTJ) MSS SP-44 (NPS 22 Only) ASME B16.25 (BW)
Test & inspection	API 598, API 6D, ISO 5208

TYPICAL MATERIALS

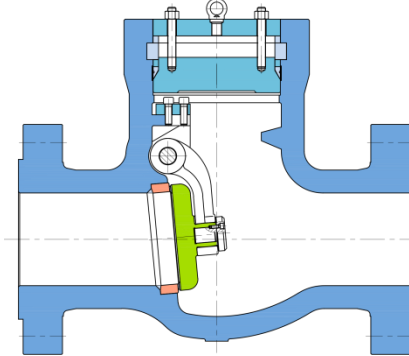
Body,	(Casting) A216 WCB, A217 WC6, WC9,
Cover,	A351 CF3, CF8, CF3M, CF8M,
Disc	A995 4A, 5A, A352 LCB, LCC, LC2, Monel, Inconel, Hastelloy

Seal Surface 13Cr/SS304/SS316/STL, HNBR, FKM

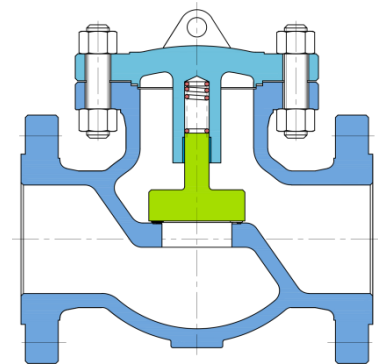
Typical Check Valve



Bolted Cover Swing Check Valve



Pressure Seal Cover Swing Check Valve

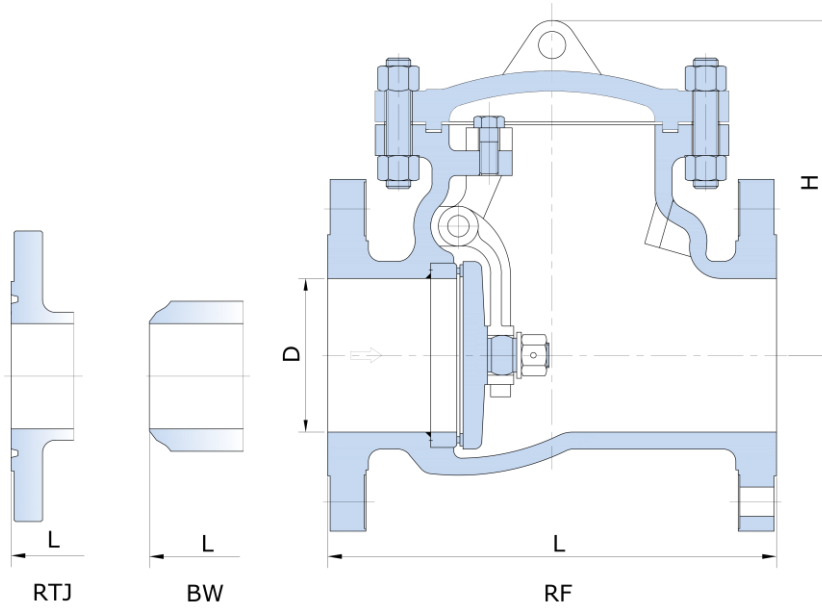


Bolted Cover Lift Check Valve

CHECK VALVE

DIMENSIONS AND WEIGHTS (Swing Type)

ASME CLASS 150 (PN 20)



ASME CLASS 150 (PN 20)

Size in/mm	D	L			H	Weight (lb/kg)
		RF	RTJ	BW		RF/RTJ
2	2	8	8.5	8	5.5	37
50	51	203	216	203	140	17
2 ½	2 ½	8.5	9	8.5	6.3	44
65	64	216	229	216	160	20
3	3	9.5	10	9.5	7.1	53
80	80	241	254	241	180	24
4	4	11.5	12	11.5	8.27	84
100	102	292	305	292	210	38
6	6	14	14.5	14	11.42	198
150	152	356	368	356	290	90
8	8	19.5	20	19.5	14.17	286
200	203	495	508	495	360	130
10	10	24.5	25	24.5	15.75	430
250	252	622	635	622	400	195
12	12	27.48	28	27.48	18.11	661
300	305	698	711	698	460	300
14	14	31	31.5	31	20.47	804
350	337	787	800	787	520	365
16	15.24	34	34.5	34	24.41	1178
400	387	864	876	864	620	535
18	17.24	38.5	39	38.5	27.17	1652
450	438	978	991	978	690	750
20	19.25	38.5	39	38.5	28.35	1949
500	489	978	991	978	720	885
24	23.22	51	51.5	51	29.13	2533
600	590	1295	1308	1295	740	1150
28	27.24	57	-	57	33.46	3822
700	692	1448	-	1448	850	1735
30	29.25	60	-	60	39.37	4515
750	743	1524	-	1524	1000	2050
36	35.23	77	-	77	44.88	4626
900	895	1956	-	1956	1140	2100

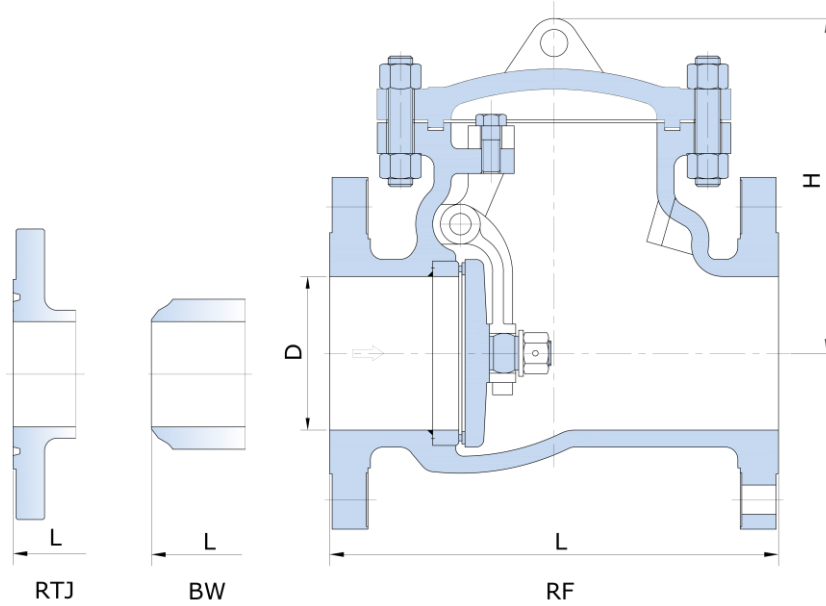
The dimension and weights are for reference only and subject to change without notice.

1. For more size or dimensional information, please contact our sales representative.

CHECK VALVE

DIMENSIONS AND WEIGHTS (Swing Type)

ASME CLASS 300 (PN 50)



ASME CLASS 300 (PN 50)

Size in/mm	D	L			H	Weight (lb/kg)
		RF	RTJ	BW		RF/RTJ
2	2	10.5	11.14	10.5	6.1	51
50	51	267	283	267	155	23
2 ½	2 ½	11.5	12.13	11.5	7.09	81
65	64	292	308	292	180	37
3	3	12.52	13.15	12.52	7.87	101
80	80	318	334	318	200	46
4	4	14	14.65	14	8.66	156
100	102	356	372	356	220	71
6	6	17.5	18.11	17.5	12.4	256
150	152	444	460	444	315	116
8	8	21	21.61	21	15.16	445
200	203	533	549	533	385	202
10	10	24.5	25.12	24.5	16.93	652
250	252	622	638	622	430	296
12	12	28	28.62	28	19.29	943
300	305	711	727	711	490	428
14	14	33	33.62	33	21.65	1284
350	337	838	854	838	550	583
16	15.24	34	34.65	34	24.61	1661
400	387	864	880	864	625	754
18	17	38.5	39.13	38.5	26.38	2059
450	432	978	994	978	670	935
20	19	40	40.75	40	29.13	2544
500	483	1016	1035	1016	740	1155
24	23	53	53.86	53	31.89	3101
600	584	1346	1368	1346	810	1408
28	27	59	60	59	34.25	3789
700	686	1499	1524	1499	870	1720
32	29	62.76	63.74	62.76	38.98	4141
800	737	1594	1619	1594	990	1880
36	35	82	82.64	82	45.67	2846
900	889	2083	2099	2083	1160	2200

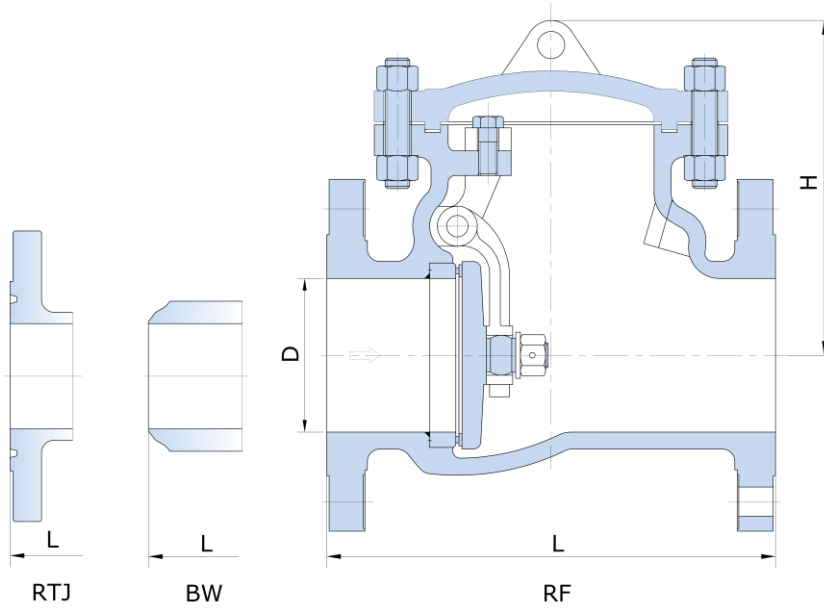
The dimension and weights are for reference only and subject to change without notice.

1. For more size or dimensional information, please contact our sales representative.

CHECK VALVE

DIMENSIONS AND WEIGHTS (Swing Type)

ASME CLASS 600 (PN 100)



ASME CLASS 600 (PN 100)

Size in/mm	D	L			H	Weight (lb/kg)	
		RF	RTJ	BW		RF/RTJ	
2	2	11.5	11.61	11.5	6.7	57	
50	51	292	295	292	170	26	
2 ½	2 ½	13	13.11	13	7.4	70	
65	64	330	333	330	188	32	
3	3	14	14.13	14	9.37	108	
80	80	356	359	356	238	49	
4	4	17	17.13	17	11.42	189	
100	102	432	435	432	290	86	
6	6	22	22.13	22	14	555	
150	152	559	562	559	355	252	
8	7.87	26	26.10	26	16.34	945	
200	200	660	663	660	415	429	
10	9.76	31	31.1	31	18.82	1227	
250	248	787	790	787	478	557	
12	11.77	33	33.11	33	21.26	1467	
300	299	838	841	838	540	670	
14	12.87	35	35.12	35	22.83	2079	
350	327	889	892	889	580	944	
16	14.76	39	39.13	39	26.38	2863	
400	375	991	994	991	670	1300	
18	16.5	43	43.11	43	30.94	3877	
450	419	1092	1095	1092	786	1760	
20	18.27	47	47.24	47	33.27	4846	
500	464	1194	1200	1194	845	2200	
24	22	55	55.39	55	37	6308	
600	559	1397	1407	1397	940	2864	
28	25.51	63	63.5	63	41.34	7048	
700	648	1600	1613	1600	1050	3200	
32	29	70	70.63	70	45.67	8238	
800	737	1778	1794	1778	1160	3740	
36	32.64	82	82.64	82	50	9912	
900	829	2083	2099	2083	1270	4500	

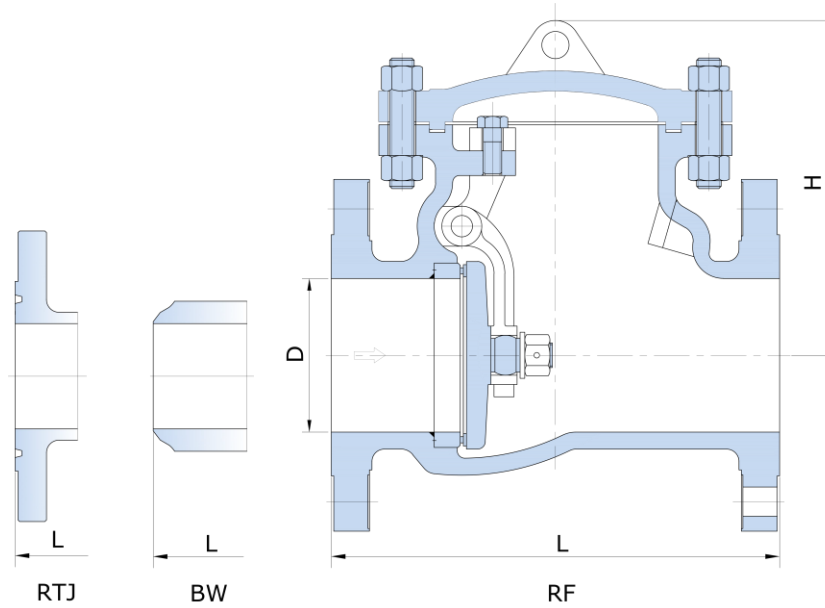
The dimension and weights are for reference only and subject to change without notice.

1. For more size or dimensional information, please contact our sales representative.

CHECK VALVE

DIMENSIONS AND WEIGHTS (Swing Type)

ASME CLASS 900 (PN 150)



ASME CLASS 900 (PN 150)

Size in/mm	D	L			H	Weight (lb/kg)
		RF	RTJ	BW		RF/RTJ
2	1.89	14.5	14.61	14.5	7.87	121
50	48	368	371	368	200	55
2 1/2	2.24	16.5	16.61	16.5	10.24	165
65	57	419	422	419	260	75
3	2.87	15	15.12	15	11.22	220
80	73	381	384	381	285	100
4	3.86	18	18.11	18	12.6	308
100	98	457	460	457	320	140
6	5.75	24	24.13	24	16.54	643
150	146	610	613	610	420	292
8	7.52	29	29.13	29	20.47	1211
200	191	737	740	737	520	550
10	9.37	33	33.11	33	21.26	1542
250	238	838	841	838	540	700
12	11.1	38	38.11	38	23.23	1905
300	282	965	968	965	590	865
14	12.24	40.51	40.91	40.51	25.2	2753
350	311	1029	1039	1029	640	1250
16	14	44.5	44.88	44.5	27.56	3855
400	356	1130	1140	1130	700	1750
18	15.75	48	48.5	48	29.53	4515
450	400	1219	1232	1219	750	2050
20	17.52	52	52.52	52	31.89	5396
500	445	1321	1334	1321	810	2450
24	21	61	61.73	61	38.58	6057
600	533	1549	1568	1549	980	2750

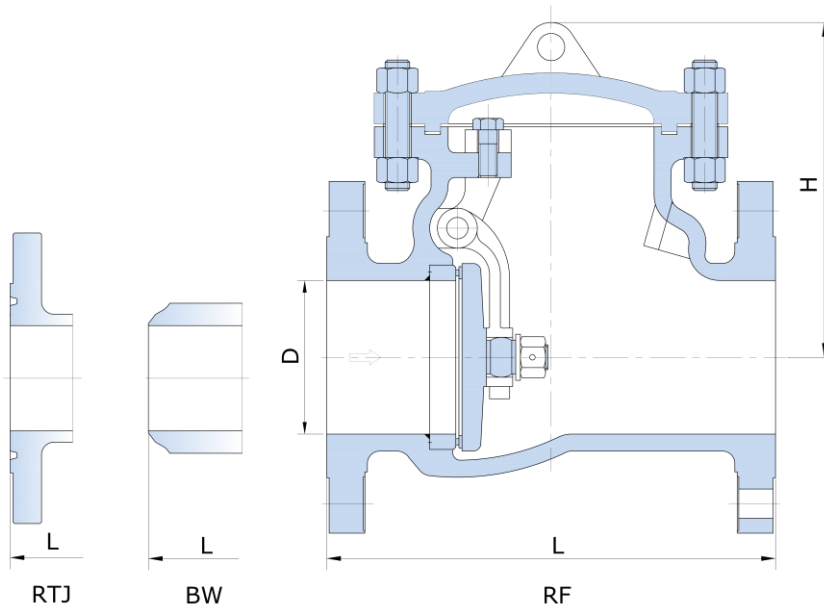
The dimension and weights are for reference only and subject to change without notice.

1. For more size or dimensional information, please contact our sales representative.

CHECK VALVE

DIMENSIONS AND WEIGHTS (Swing Type)

ASME CLASS 1500 (PN 250)



ASME CLASS 1500 (PN 250)

Size in/mm	D	L			H	Weight (lb/kg)
		RF	RTJ	BW		RF/RTJ
2	1.89	14.5	14.61	14.5	7.87	143
50	48	368	371	368	200	65
2 1/2	2.24	16.5	16.61	16.5	10.63	176
65	57	419	422	419	270	80
3	2.76	18.5	18.62	18.5	11	264
80	70	470	473	470	280	120
4	3.58	21.5	21.61	21.5	13.78	419
100	91	546	549	546	350	190
6	5.35	27.76	28	27.76	18.5	1057
150	136	705	711	705	470	480
8	7	32.76	33.15	32.76	22.05	1674
200	178	832	842	832	560	760
10	8.74	39	39.41	39	25.6	2313
250	222	991	1001	991	650	1050
12	10.35	44.5	45.12	44.5	28.74	3172
300	263	1130	1146	1130	730	1440
14	11.38	49.5	50.24	49.5	33.07	3833
350	289	1257	1276	1257	840	1740
16	13	54.5	55.35	54.5	37	5374
400	330	1384	1406	1384	940	2440
18	14.6	60.5	61.38	60.5	41.34	7048
450	371	1537	1559	1537	1050	3200
20	16.38	65.5	66.38	65.5	45.67	8370
500	416	1664	1686	1664	1160	3800
24	19.6	76.5	77.6	76.5	50	9471
600	498	1943	1971	1943	1270	4300

The dimension and weights are for reference only and subject to change without notice.

1. For more size or dimensional information, please contact our sales representative.